



Welcome message from Nigel and Sandra

Although we are able to supply the complete range of MGB and Midget parts, panels and accessories, we have summarized the more common parts and if you are unable to find the part required, please telephone for the price and availability. At present because so many parts sourced are dollar based we cannot guarantee the web site is 100% up to date. Please ring or email for confirmation.

We believe we offer a friendly and personal service and are always happy to give advice over coffee when you visit our premises,

Mail orders are dispatched the same day and we are able to offer very good rates for carrier delivery. Smaller parcels are sent by PO. Payment can be made by cash, cheque, postal order, Barclaycard, Access, Switch, Maestro or bank transfer.

All the parts supplied by The MGB Hive are fitted, used and tested on our own cars, including the cars which are very successfully raced and are therefore supplied with an unconditional guarantee of satisfaction and value for money. Where possible the parts are original equipment, part numbers are for reference only.

The MGB Hive is also able to offer full workshop facilities on site, please ring for an estimate on the work required. We invite you to view the current MGB's undergoing restoration and are pleased to supply a free estimate on your car with no obligation. We are also able to supply rebuilt MGB's to the customers particular specification.

Exchange items carry a surcharge if the old unit is not returned at the time of purchase. Or receipt of the old unit, providing it is in a reconditionable state, a full refund will be given.

At the time of printing, all prices are current and include VAT. We hope to maintain these prices, but in the case of genuine Heritage panels and parts already heavily discounted this may not be possible, if there is a price increase.

Customers starting a restoration project and requiring a large order of parts may be helped with extra discount. When ordering please state year, model, bumpers, wire or steel wheels and of course the side required.

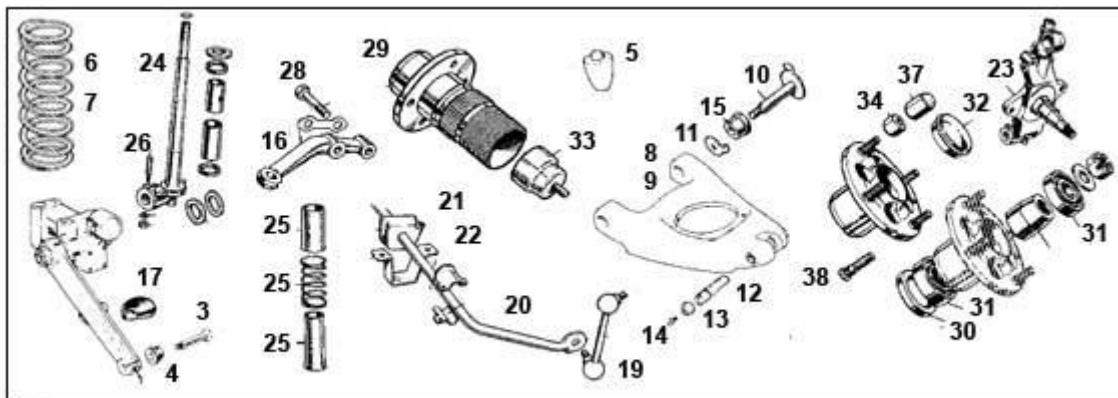
We hope that we can be of service to you as we have been to so many MG owners as is shown by our MG Owners club, 5 star and 5 spanner award.

If you have any queries, please do not hesitate to contact us.

Assuring you of the best attention at all times.

Nigel & Sandra
—

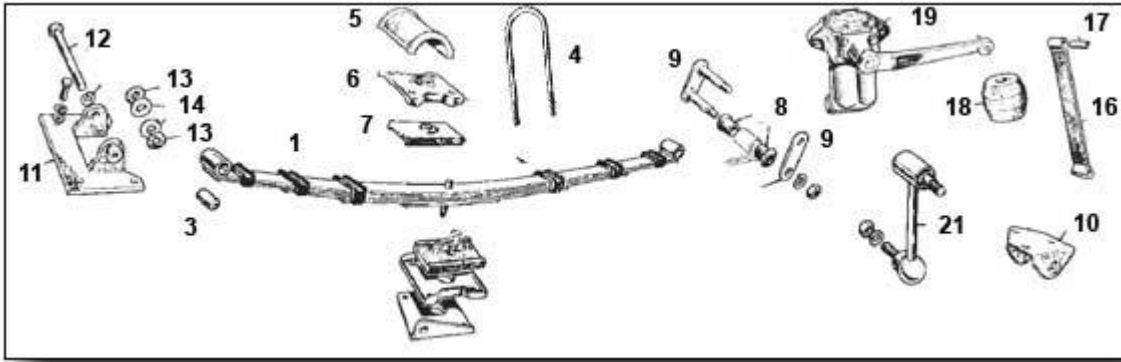
Front Suspension



		Description	Price (inc VAT)
1	GSA 103	New shock absorber	£89.95
2	GSA 103E	Reconditioned shock absorber #	£17.50
3	2A 4028	Top bolt	£2.95
4	88G 274	Top bush	£1.25
5	AHA 6378	Bump Stop	£4.25
6	CHA 129	1275 front spring	£14.00
7	CHA 570	1500 front spring	£14.00
8	AHA 7029	Wishbone pan	£79.95
9	AHA 7029E	Reconditioned wishbone pan #	£39.95
10	2A 4272	Wishbone pan pin and washer	£4.00
11	2A 4024	Washer for above	£1.75
12	2A 4020	Fulcrum pin kingpin to wishbone pan	£8.75
13	8G 589	Grease plug	£2.75
14	UHN 400	Grease nipple	£0.65
15	8G 621	Wishbone pan bush	£1.20
16	2K 5377	Steering arm lock tab	£1.40
17	2A 4082	Shock absorber buffer	£1.95
18	53K 1389	Pinch bolt shock absorber	£0.50

19	AHA7012/3	Anti roll bar link arm	£14.00
20	AHA7013UR	Uprated anti roll bar9/16th	£49.95
21	AHH 6541	Anti roll bar bush 9/16th	£0.95
22	BHH 2000	Anti roll bar strap	£1.50
23	BTA 744/5E	Reconditioned kingpin assy. #	£37.50
24	TD 134	King pin kit	£24.95
25	BTA 606K	Dust tube kit	£5.00
26	51K 1769	Cotter pin	£1.00
27	53K 1379	Short steering arm bolt	£1.30
28	ATA 4132	Long steering arm bolt	£1.30
29	BTA 686/7	Wire wheel hub	£55.00
30	GHS 142	Oil seal	£4.50
31	GHK 1142	Wheel bearing kit	£18.95
32	2A 4067	Steel wheel grease cap	£4.95
33	BTC 392	Wire wheel grease cap	£3.50
34	88G 322	Wheel nut (hub cap type)	£0.60
35	AHA 8765	Chrome wheel nut	£1.00
36	AHA 8765L	Chrome wheel nut with MG logo	£1.15
37	AHA 8765SS	Stainless steel wheel nut	£2.50
38	BTA 339	Wheel stud	£2.75

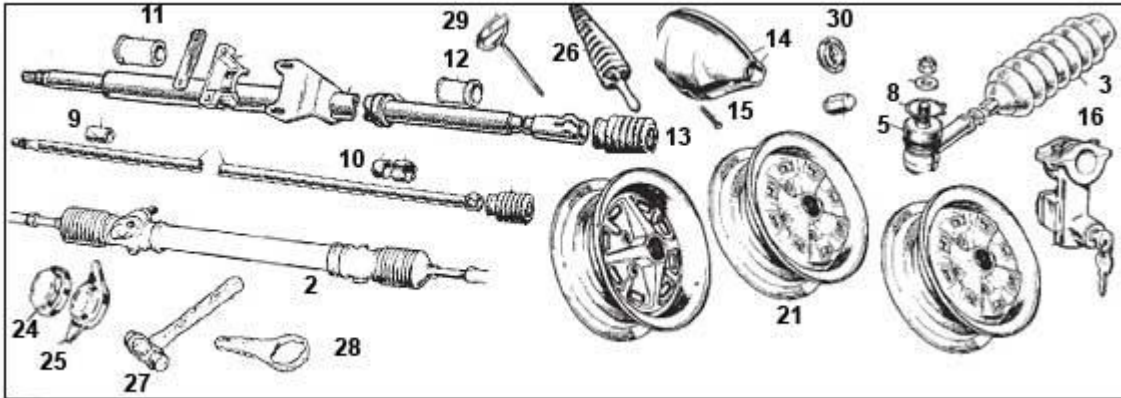
Rear Suspension



	Part	Description	Price (inc VAT)
1	AHH 8093	1275 Rear spring	£45.00
2	CHA 493	1500 rear spring	£45.00
3	AAA 629	Front bush	£2.50
4	AHA 8097	U bolt	£1.50
5	21G 5165	Saddle	£1.90
6	ACA 5139	Locating plate	£2.50
7	ACA 5138	Spring pad	£0.95
8	AHA 7182	Shackle bush	£0.50
9	AHA 7686K	Shackle assembly	£7.95
10	AHA 7021	Rear bracket	£13.50

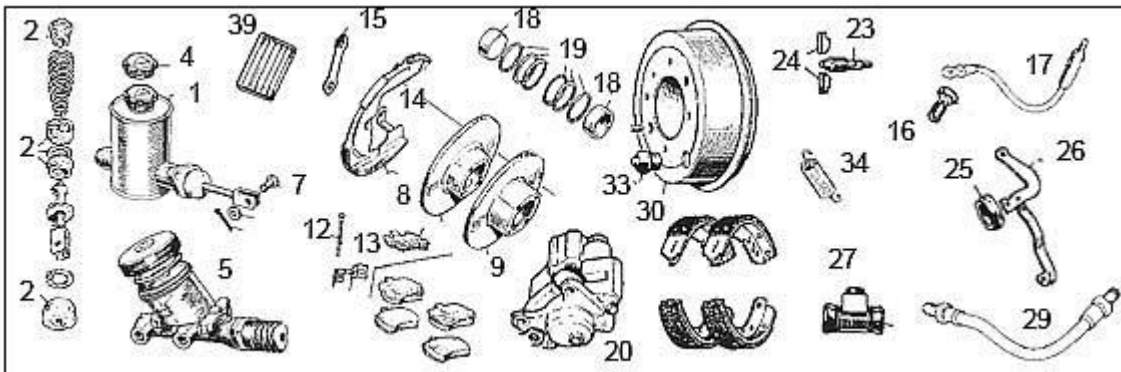
11	AHA 7174	Front bracket	£11.75
12	AHA 7180	Front bolt	£1.25
13	AHA 7178	Metal washer	£0.25
14	AHA 7179	Nylon washer	£0.25
15	RS kit	Rear spring fitting kit (per side)	£7.50
16	AHH 5081	Axle strap	£4.50
17	2A7306	Spacer	£1.00
18	AHH 9158	Bump stop rubber	£6.25
19	GSA 149/50E	Recon. shock absorber #	£17.50
20	GSA 149/50	New shock absorber	£85.00
21	AAU 1949A	Link arm	£14.50

Steering and Wheels



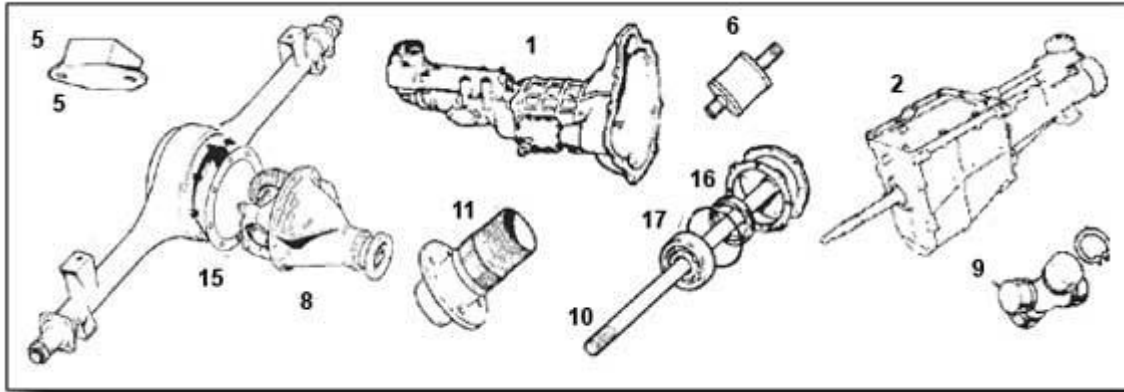
	Part	Description	Price inc vat
1	BTA 1096E	Reconditioned early steering rack # >71	£49.95
2	AHA 9956E	Reconditioned late steering rack # 72>	£49.95
3	ACA 6029	Steering rack gaiter pair >71	£8.95
4	GSV 1004/5	Steering rack gaiter pair 72>	£8.95
5	GSJ 169	Track rod end >71	£7.50
6	GSJ 158	Track rod end 72>	£7.50
7	EAW 2270	Track rod end gaiter	£1.50
8	138869	Wire clip for gaiter TRE	£1.25
9	AHA 5893	Top steering column bush non collapsible	£2.35
10	13H 569	Lower steering column bush non collapsible	£2.35
11	GSV 1095	Top bush collapsible column	£2.95
12	MPB 1002	Lower bush collapsible column	£5.50
13	AHA 5435	Steering column gaiter	£3.95
14	18G 8713	Steering column cowl	£16.95
15	RMP 214	Screw Cowling	£0.29
16	BMK 2259	Steering lock assembly	£74.95
17	MLWL	Motalita leather 13" steering wheel and boss	£165.00
18	MLWW	Motalita wooden 13" steering wheel and boss	£165.00
19		13" leather, repro or wooden steering wheel and boss	£99.00
20	KN MIN	Minator alloy wheel 13"	£54.95
21	AHA 9881E	Rostyle wheel reconditioned	
22	WWP	Painted wire wheel 4J x 13	£99.50
23	WWC	Chrome wire wheel 4J x 13	£139.50
24	88G 606	Octagonal spinner	£16.50
25	AHA 7373/4	Two eared spinner	£19.95
26	WWB	Wire wheel cleaning brush	£5.95
27	C 27290	Copper hide hammer	£16.50
28	AHH 5839	Spanner for octagonal spinner	£4.50
29	AHA 9940	Rostyle spare wheel clamp	£8.95
30	AHA 8950	Rostyle cap	£5.25
31	AHA 8950B	Rostyle cap badge	£0.75
32	STUD	Wire wheel stud	£3.50

Brakes



Part	Description	Price (inc VAT)	
	New Line	Greenstuff brake pads	£26.00
1	GMC 151	Brake master cylinder	£44.95
2	GRK 1009	Brake master cylinder seal kit	£6.50
3	GRK 1026	Brake master cylinder seal kit	£6.50
4	513123A	Cap	£3.50
5	GMC 170	Tandem brake master cylinder	£110.00
6	GRK 1020	Tandem seal kit	£15.95
7	CLZ513	Clevis pin push rod	£0.45
8	BTA 383	S/W brake disc	£12.00
9	BTA 469	W/W brake disc	£12.00
10	GBP 281	Brake pad set	£10.95
11	17H 7963	Brake pad clip	£1.15
12	PS 10241	Brake pad pin	£0.25
13	17H 2460	Anti squeal shim	£1.00
14	BTA 472/3	Brake back plate	£8.50
15	BTC 114	Caliperlocktab	£0.40
16	C5192A	Banjo bolt	£3.25
17	GBH 157	Front brake hose	£7.75
18	17H 7960	Caliper piston	£10.50
19	GRK 5008	Caliper seal kit	£7.95
20	17H 9438/9E	Reconditioned caliper #	£39.95
21	GCB 3022	Copper brake pipe set	£34.50
22	GBS 701	Rear brake shoe set	£10.95
23	17H 7619	Rear adjuster wedge	£3.25
24	17H 7618	Rear adjuster tappet	£4.50
25	17H 7612	Handbrake lever boot	£1.95
26	17H 2824/5	Handbrake lever	£7.95
27	GWC 1102	1275 wheel cylinder	£12.95
28	GWC 1129	1500 wheel cylinder	£12.95
29	GBH 158	Rear brake hose	£6.95
30	2A 7168	Brake drum	£14.95
31	C 16062A	1275 brake light switch	£5.50
32	BHA 4675	1500 brake light switch	£14.50
33	2A 7228	Brake drum plug	£1.00
34	AAA 1628	Pedal return spring	£1.00
35	GVC 1019	1275 handbrake cable	£12.95
36	GVC 1008	S/W handbrake cable 1500	£12.95
37	GVC 1009	W/W handbrake cable	£12.95
38	HBS 1001	Handbrake strap	£1.50
39	AHA 5326	Pedal rubber	£1.50

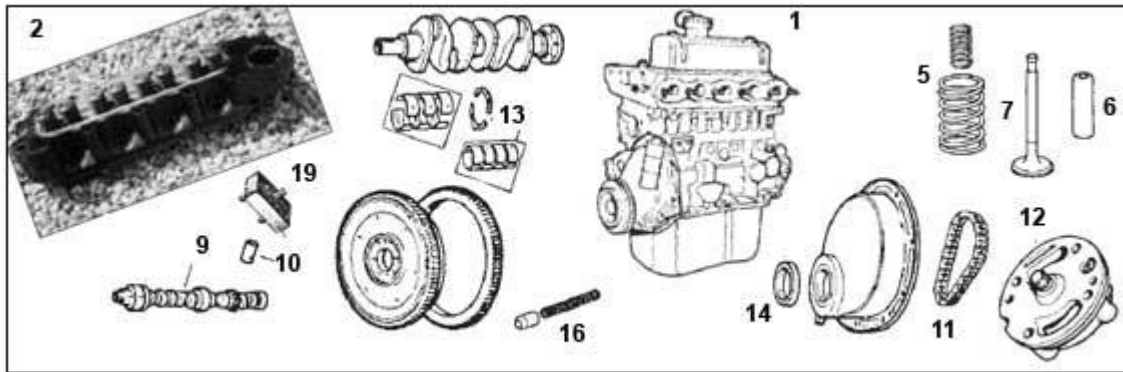
Gearbox and back Axle



		Description	Price (inc VAT)
1	RJM 1109E	Recon. 1275 Gearbox #	£650
2	BHM 5003E	Recon. 1500 Gearbox early #	£350
3	BHM 5060E	Recon 1500 Gearbox late #	£350
4	AHA 9307	Gearbox mounting	£3.95
5	2A 5420	Steady bush	£2.95
6	CHA 615	Gearbox mounting 1500	£2.95
7	GHK 1143	Rear wheel bearing kit	£12.95
8	DIFF	Recon. back axle (state ratio)#	£195
9	GVJ 101	Propshaft U.J	£7.50
10	BTA 806	Halfshaft	£99.50

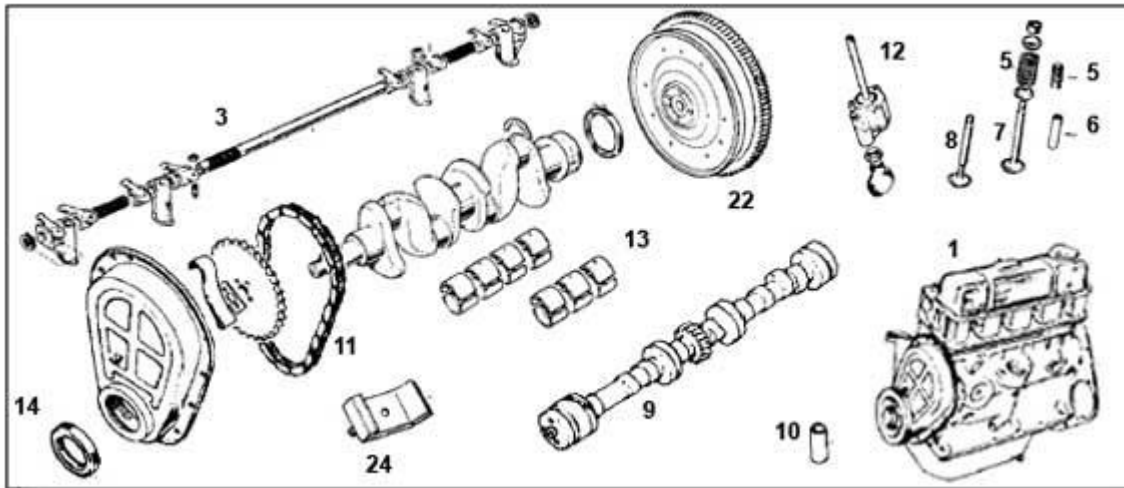
11	BTA 668	Wire wheel splined hub	£55.00
12	CONV	Wire wheel conversion (4 hubs)	£200
13	PROP	Recon propshaft #	£49.00
14	88G 320	Pinion oil seal	£3.50
15	2A 7027	Diff gasket	£1.00
16	GHS 147	Halfshaft oil seal	£2.50
17	ATA 7225	Halfshaft 'O' ring	£1.00
18	GFG 110	Halfshaft gasket	£0.60

1275 Engine



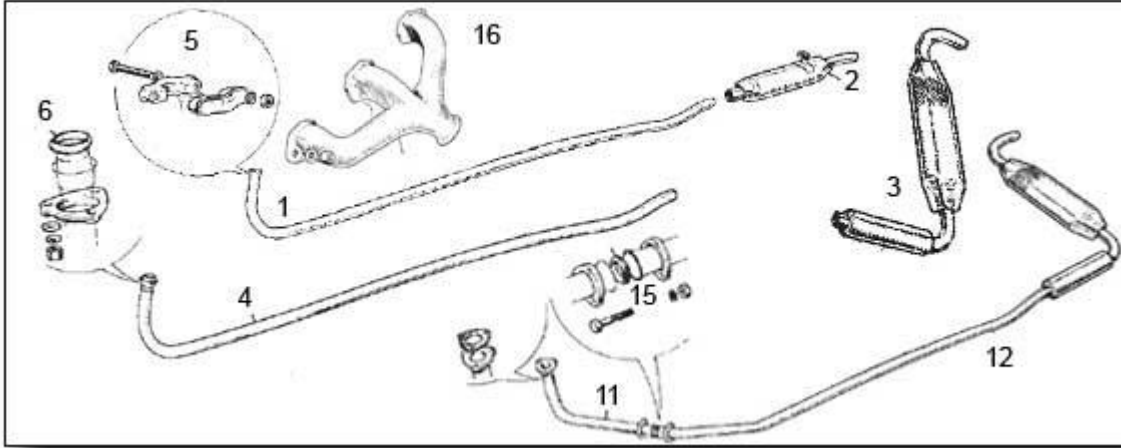
		Description	Price (inc VAT)			Description	Price
1	RS 12345	Fully reconditioned unleaded engine #	£1180.00	11	2H 4905	Duplex timing chain	£4.95
2	Head	Reconditioned unleaded cylinder head #	£295.00	12	CHM 140	Oil pump star drive	£17.00
3	Rocker	Reconditioned rocker shaft assembly #	£49.50	13	CRANK	Reconditioned crankshaft #	£99.00
4	AIM1140	Head gasket set	£17.95	14	88G 561	Timing cover oil seal	£2.50
5	CVS 635K	Valve spring set	£9.95	15	AIM 225	Bottom gasket set	£12.00
6	120 1963	Valve guide	£1.75	16	12H865K	Pressure relief valve and spring	£5.75
7	120941	Inlet valve	£2.95	17	GFE 66	Oil filter	£4.50
8	120 1322	Exhaust valve	£5.00	18	GCB	Fan belt	£3.95
9	AEO523E	Camshaft reprofiled #	£49.50	19	2A 305	Engine mounting	£5.50
10	2A 13	Camfollower	£2.00	20	GFE 6003	Oil filler cap	£3.00
				21	ALLOY	Alloy rocker cover	£22.00
				22	AIM 401	Rocker cover gasket	£1.00
				23	12A 1358	Rocker cover seal	£0.75
				24	12G1444	Ring gear	£21.95

1500 Engine



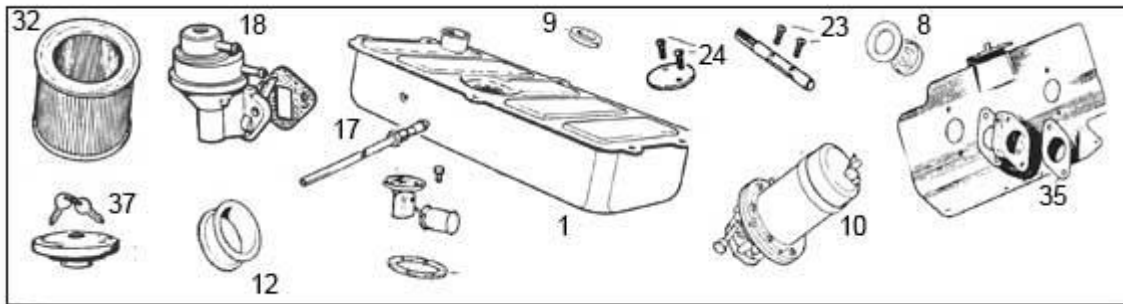
		Description	Price (inc VAT)			
1	RS 56789	Fully reconditioned unleaded engine #	£1180.00	13	CRANK	Reconditioned crankshaft # £115.00
2	Head	Reconditioned unleaded cylinder head #	£295.00	14	UKC 1110	Timing cover oil seal £3.95
3	Rocker	Reconditioned rocker shaft assembly #	£55.00	15	AJM 279	Bottom gasket set £12.50
4	AJM 1212	Genuine head gasket set	£17.95	16	132107 K	Oil pressure relief valve and spring £2.00
5	157228 K	Valve spring set	£10.00	17	GFE 150	Oil filter £5.50
6	58923	Valve guide	£1.50	18	GFB 11088	Fan belt £3.95
7	UKC 2460	Inlet valve	£4.00	19	GZC 1400	Oil filler cap £5.95
8	144965	Exhaust valve	£4.50	20	ALLOY	Alloy rocker cover and cap £29.50
9	RKC 3305E	Camshaft reprofiled #	£45.00	21	AJM41 4	Rocker cover gasket £1.25
10	143552	Camfollower	£2.50	22	201350	Ring gear £25.00
11	105131	Timing chain	£3.70	23	143456	Rear oil seal £3.95
12	TKC 1975	Oil pump	£52.50	24	CHA 565	Engine mounting £13.75
				25	42425	Timing chain tensioner £4.25

Exhaust Systems



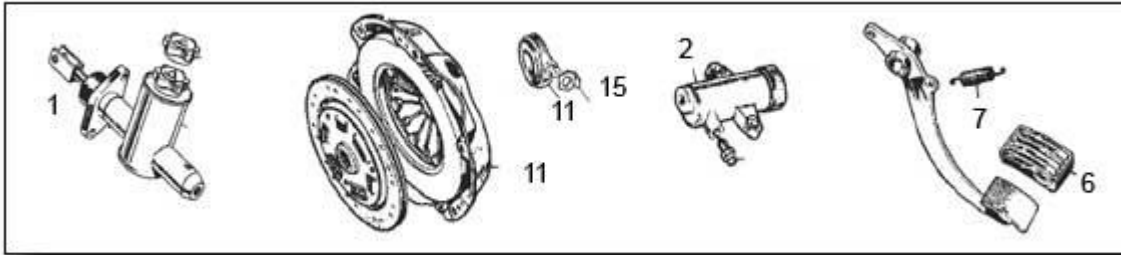
		Description	Price (inc VAT)
1	GEX 1306	Front pipe clamp fitting mild steel 1275	£29.50
2	GEX 3365	Silencer single box mild steel 1275	£32.50
3	GEX 3369	Silencer twin box mild steel 1275	£32.50
4	GEX 1307	Front pipe bolt fixing mild steel 1275	£32.50
5	GEX 7049	Clamp manifold to front pipe	£3.50
6	GEX 7193	'O' ring front pipe to manifold	£1.30
7	GEX1306K	Fitting kit inc. clamp	£25.00
8	GEX1307K	Fitting kit inc. 'O' ring	£25.00
9	GES 1306	Stainless steel clamp fitting exhaust system	£159.00
10	GES 1307	Stainless steel bolt fixing exhaust system	£159.00
11	GEX 1618	1500 mild steel down pipe	£29.95
12	GEX 164K	1500 mild steel front pipe and silencer	£79.95
13	GES 164	1500 stainless steel exhaust system	£155.00
14	GEX1306K	1500 exhaust fitting kit inc. olive	£27.50
15	GEX 7470	1500 olive down pipe to rear pipe	£3.75
16	12G 420	Cast manifold clamp fitting	£149.00
17	PECO	1275 3 branch manifold	£125.00
18	PECO 1	1500 tubular manifold	£125.00
19	SS	1275 Stainless steel mainfold	£149.00

Fuel and Carburation



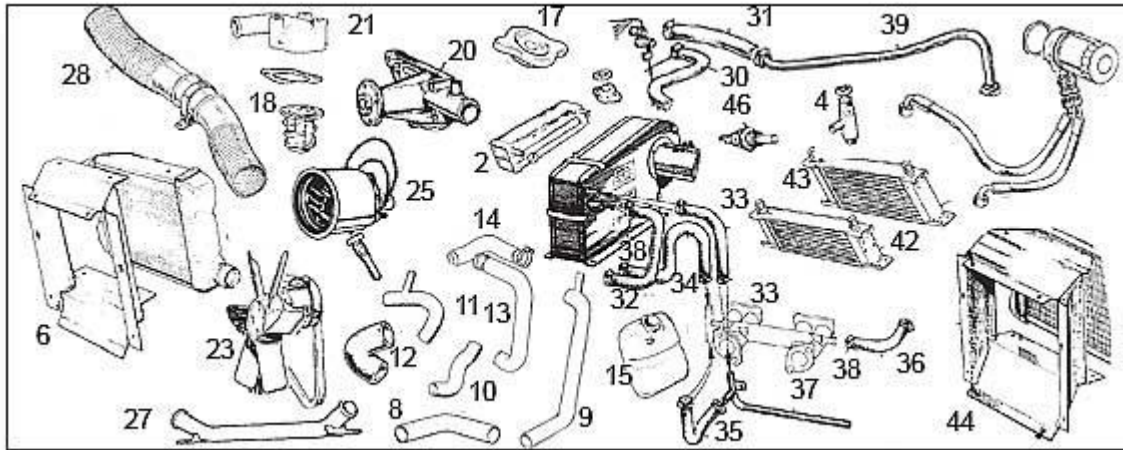
		Description	Price (inc VAT)
1	NRP 8	Early petrol tank >72 sender unit with screws	£84.50
2	NRP1199	Late petrol tank 72> lock ring and seal type	£84.50
3	BHA4711	Early sender unit with screws	£19.95
4	2G 1002	Cork gasket	£1.00
5	53K 165	Screw	£0.40
6	BRA 960	Late sender unit	£19.95
7	ARA1501K	Lock ring and seal	£1.25
8	AHA5445	Grommet neck to body	£3.50
9	2A 2069	Foam sealing ring	£0.95
10	AUF 214 Z	1275 fuel pump	£55.00
11	AUB 663	1275 banjo union	£4.95
12	AHH6708	Petrol pump grommet	£3.50
13	AHA7384	Petrol pump bracket	£4.40
14	AHA7385	Petrol pump strap	£3.25
15	GGT 102	Braided hose pipe to pump inlet	£2.50
16	GGT 104	Braided hose pump outlet to main feed	£4.50
17	AHA7381	Copper tank to pump inlet hose pipe	£14.50
18	RKC1624	Fuel pump early (no spacer block)	£17.95
19	TKC 3417	Fuel pump with spacer block	£22.50
20	37H7148	Copper fuel pipe tank to carbs	£14.00
21	GFE7000	Fuel filter	£3.50
22	WZX1859	1275 carb. service kit	£39.95
23	WZX1310	1275 throttle spindle	£7.50
24	WZX1320	1275 throttle disc	£8.00
25	WZX1100A	1275 needle and seat	£8.95
26	AUD665K	1500 Red thin jet tube carb. service kit	£49.00
27	FZX1258K	1500 Waxstat w. ide jet tube carb. service kit	£69.00
28	WZX1177	1500 throttle spindle	£9.95
29	WZX1323	1500 throttle disc (pair)	£14.00
30	GGT 106	1275 braided hose carb. to carb.	£4.95
31	GGT 105	1275 braided hose main feed to front carb.	£4.50
32	GFE1004	1275 air filter	£5.00
33	GFE1063	1500 air filter	£6.00
34	K & N	Pancake air filter kit (pair)	£69.00
35	12G 1460	1275 heatshield	£12.50
36	UKC8375	1500 heatshield	£12.95
37	GSS154A	Locking petrol cap	£19.95
38	18G8601A	Non locking petrol cap	£5.95

Clutch



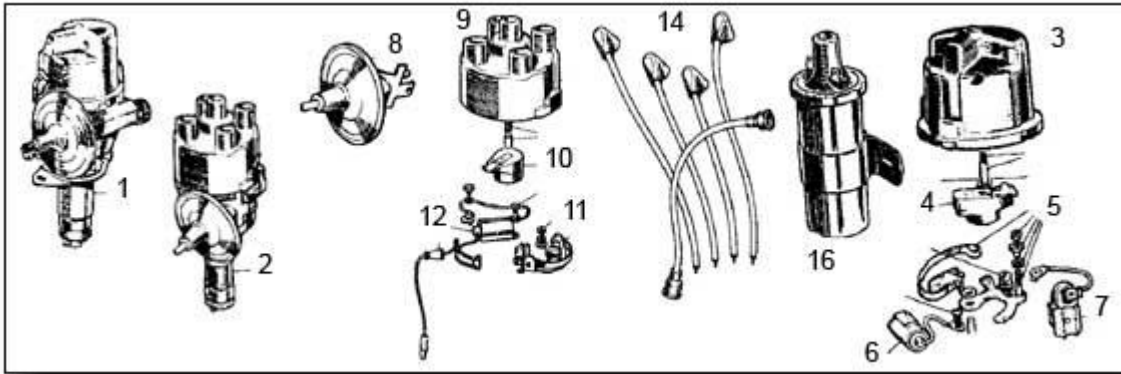
		Description	Price (inc VAT)			Description	Price
1	GMC 1005	Clutch master cylinder	£47.50	8	GRK 3005	Seal kits plain body	£6.40
2	GSY 113	Clutch slave cylinder 1275	£42.50	9	GRK 3008	Seal kits circle or groove on body	£6.00
3	GSY 107	Clutch slave cylinder 1500	£39.50	10	AHH 6362	Clutch pipe 1275	£9.50
4	ACC 5509	Clutch hose 1275	£7.50	11	GCK 261	3 piece clutch kit 1275	£75.00
5	BHA 5376	Clutch pipe 1500	£22.00	12	GCK 160	3 piece clutch kit 1500	£75.00
6	AHA 5326	Pedal rubber	£1.40	13	513 123A	Master cylinder cap	£3.50
7	AAA 1628	Pedal return spring	£1.00	14	22H 1337	Gaiter release arm	£3.30
				15	13H 783	Clip release bearing	£1.00
				16	GRK 4005	1275 slave cylinder seal kit	£8.95

Cooling and Heating



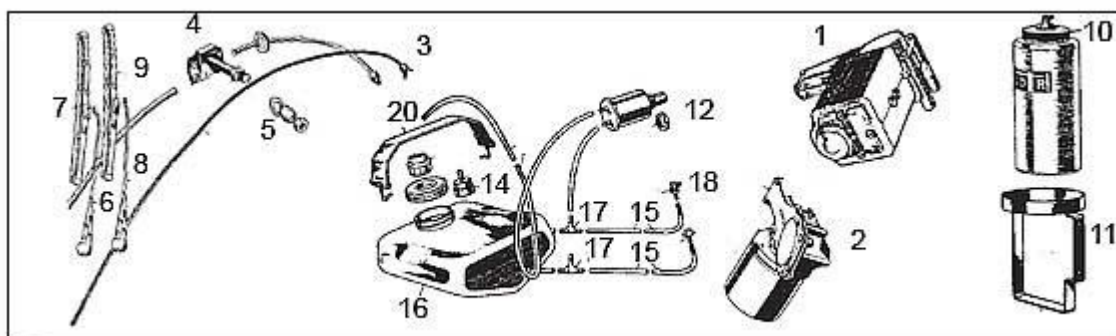
		Description	Price (inc VAT)				
				28	AHA8501	Heater trunking	£7.75
				29	GZA2083	Bypass hose	£2.50
1	37H 8818	Heater matrix 1500	£79.95	30	GRH 902	1275 heater hose tap to heater inlet	£6.95
2	37H 7914	Heater matrix 1275	£69.50				
4	88G 588	Heater tap 1275	£12.50	31	GRH1006	1275 heater hose outlet to return pipe	£6.20
5	ACA 5456	Heater tap plinth	£3.50				
6	NRP 1028	1500 radiator	£99.00	32	CHA 806	1500 heater hose tap to heater inlet	£5.50
7	ARA 318	Radiator cross flow	£99.00	33	CHA 805	1500 heater hose heater outlet to return pipe	£7.50
8	GRH 507	Top hose 1275 vertical flow	£5.25	34	CHA 359	1500 heater hose inlet manifold to elbow	£7.50
9	GRH 315	Bottom hose vertical flow	£12.50	35	154149	1500 heater hose inlet manifold to return pipe	£10.95
10	GRH 509	Top hose 1275 cross flow	£4.95	36	GZA 2052	1500 heater hose adaptor to inlet manifold	£5.50
11	GRH 510	Bottom hose 1275 cross flow	£9.50	37	212935	1500 pipe return hose to water pump housing	£14.95
12	AHA8730	Tube to radiator	£2.95	38	GHC 406	Hose clip	£0.75
13	GRH 525	Top hose 1500	£10.95	39	12G 1785	1275 heater return pipe heater to radiator hose	£11.50
14	GRH 534	Bottom hose 1500	£7.95	40	AJJ 3323	1275 oil cooler kit (10 row oil cooler & 2 x s.s. hoses)	£95.00
15	ARH 250	Expansion tank 1275	£69.95	41	AJJ 3324	1500 oil cooler kit (10 row oil cooler & 2 x s.s. hoses)	£99.00
16	ARA 326	Expansion tank 1500	£34.25	42	ARO 9807	10 row oil cooler	£27.50
17	GRC 110	Radiator cap 15lb	£2.95	43	ARA 221	13 row oil cooler	£29.95
18		Thermostat	£3.95	44	AHA 8732	1275 crossflow radiator cowl	£82.50
19	GWP 128	Water pump 1500	£29.50	45	GRH1001	Overflow hose	£2.25
20	GWP 134	Water pump 1275	£13.95	M			
21	12G1445	Thermostat housing	£8.45	46	GTR108	Thermal Transmitter 1500	£7.50
22	GCB	Fan belt	£3.95				
23	12G1597	Fan blade cross flow	£18.50				
24	311702	Fan blade 1500	£29.95				
25		Oil water gauge	£65.95				
26		Oil water gauge #	£49.50				
27	AHA8731	Radiator cross pipe	£22.50				

Distributors & Ignition



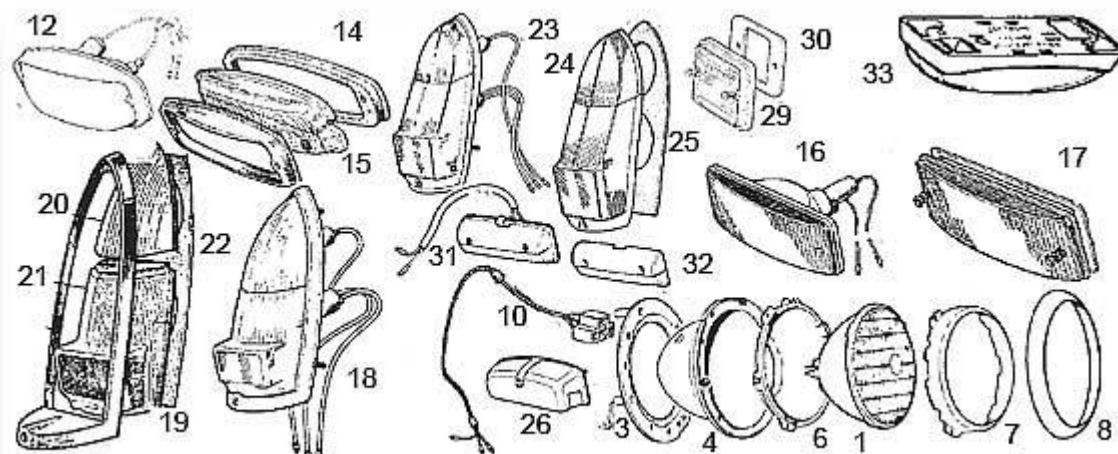
		Description	Price (inc VAT)
1	12G 2055	25D distributor 1275 #	£99.00
2	RKC 5044	45D distributor 1500	£99.00
3	GDC 102	Side entry screw fix cap 1275	£9.95
4	GRA 2101	25D rotor arm	£1.25
5	GCS 2101	25D points	£1.75
6	GSC 111	25D condensor	£1.95
7	37H 2981	25D low tension lead	£6.50
8	27H 7645	25D vacuum advance unit	£27.95
9	GDC 136	45D 1500 distributor cap	£5.95
10	GRA 2114	45D rotor arm	£1.25
11	GCS 118	45D points	£1.75
12	GSC 2109	45D condensor	£2.95
13	RTC 1775	45D vacuum advance	£27.95
14	GHT 102	1275 screw fit plug leads	£10.95
15	GHT 152	1500 plug leads	£10.95
16	GCL 110	1275 coil (Lucas)	£17.00
17	GCL 132	1500 coil (Lucas)	£17.00
18	N9Y CC	1275 spark plug	£1.50
19	N12Y CC	1500 spark plug	£2.00
20	VAC	Vacuum advance pipe	£1.50

Windscreen Wipers



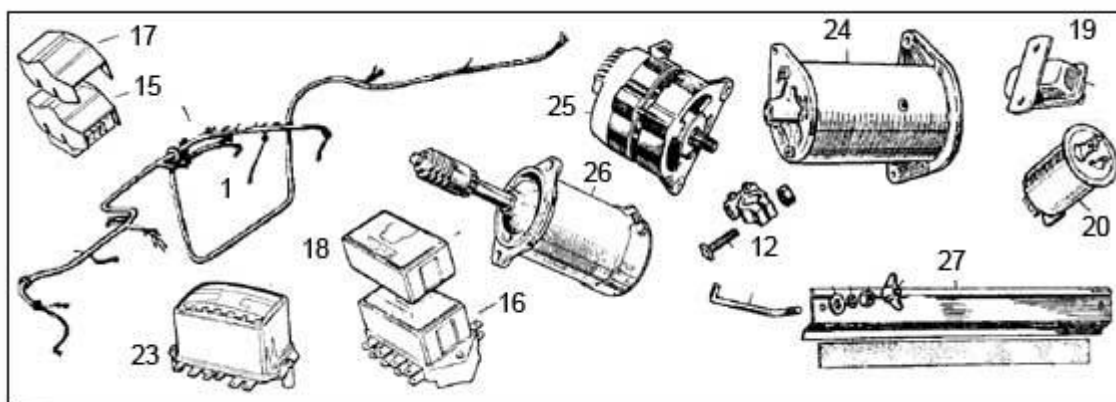
		Description	Price (inc VAT)
1	GXE 7714E	Reconditioned square wiper motor #	£45.00
2	GXE 7708E	New round wiper motor	£55.00
3	RTC 202A	Wiper rack	£7.95
4	37H 7738	Wheel box	£22.00
5	BAU 1465Z	Bezel kit	£5.95
6	BHA 4894	Spoon fitting wiper arm	£8.50
7	GWB 145	Spoon fitting wiper blade	£6.95
8	BHA 5208	Straight fitting wiper arm	£8.50
9	GWB 164	Straight fitting wiper blade	£6.95
10	GWW 918	Washer bottle assembly	£9.95
11	AHA 8729	Washer bottle bracket	£7.50
12	GWW 102	Manual washer pump	£15.00
13	GWP 125	Electric washer pump	£12.50
14	GWW 506	Non return valve	£1.50
15	GWW 202M	Washer tubing	£3.00
16	GWW 902	1500 washer bottle	£15.00
17	GWW 408	Washer 'T' piece	£1.50
18	GWW 802	Chrome washer jet	£2.95
19	GWW 829	Black washer jet	£2.45
20	CHA 458	Washer bottle strap	£4.75

Lighting



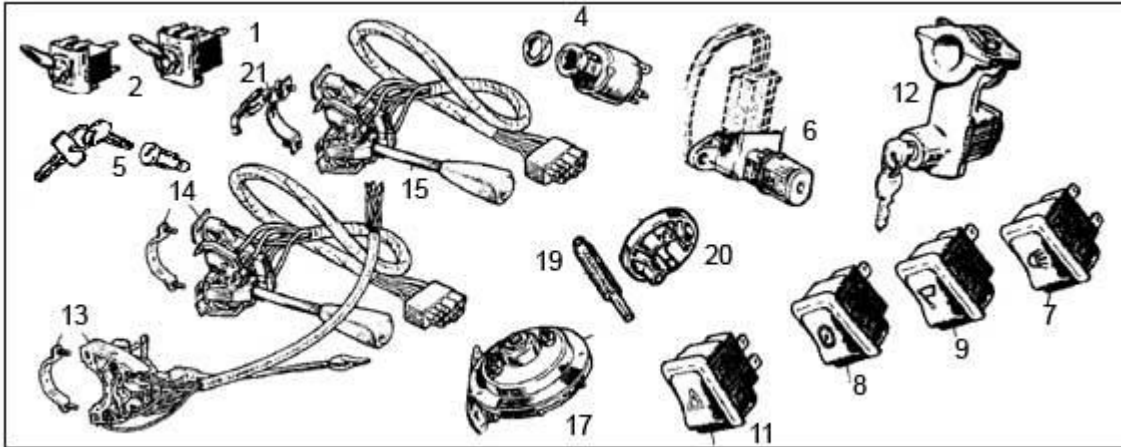
Part	Description	Price (inc VAT)	Part	Description	Price
1	GLU 104	£POA	18	BHA 4175	Rear lamp assembly >69 £49.50
2	WIPAC	£34.50	19	57H 5357	Red rear lamp lens £7.75
3	13H 565	£2.25	20	57H 5354	Amber rear lamp lens £5.25
4	HB1	£10.00	21	57H 5355	Chrome rim £12.95
5	BAU 1460	£1.75	22	57H 5358	Rear lamp gasket £1.00
6	HB2	£8.50	23	BHA 4973	Rear lamp assembly 69> £49.95
7	515218A	£6.50	24	37H 4737	Rear lamp lens £12.50
8	500929	£10.00	25	37H 4679	Rear lamp gasket £1.00
9	57H 5455	£12.95	26	127916	Chrome number plate lamp £18.95
10	BAU 2110	£5.50	27	2A9119	No. plate lamp £27.50
11	27H 5976	£6.95	28	AAU 5510	Reversing lamp assembly £14.00
12	13H 428/9	£32.50	29	37H 7512	Reversing lamp lens £4.95
13	13H 428A	£18.95	30	37H 1759	Reversing lamp gasket £0.60
14	57H 5157	£3.25	31	BHA 5138	Interior light £15.00
15	57H 5158/9	£7.25	32	27H 3590	Interior light lens £7.50
16	16. BHA5318	£54.50	33	BHA 5040	Boot light £6.50
17	37H 8759	£6.50	34	BULBS	Light bulbs £0.75

Electrics and Wiring Loom



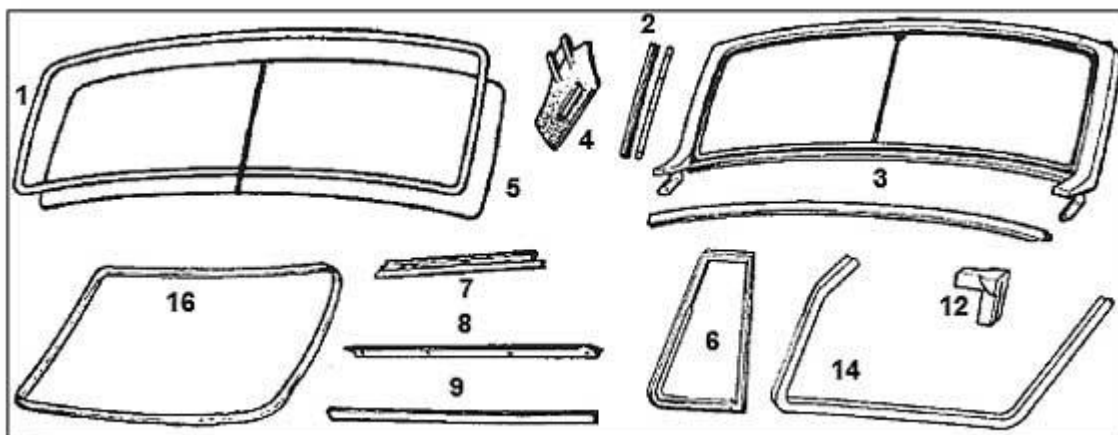
	Part	Description	Price (inc VAT)
1	AHA 8156	Cloth bound wiring loom (dymano)	£179.00
2	AHA 8694	Cloth bound wiring loom (neg earth)	£179.00
3	AHA 9612	Taped wiring loom (toggle horn on stalk)	£179.00
4	AHA 9763	Taped, toggle horn on wheel	£179.00
5	AHA 9923	Taped, rocker switches, dynamo	£179.00
6	CHA 46	Taped, rocker switches, alternator	£179.00
7	CHA 214	Taped, rocker switches, hazards	£179.00
8	LM 1500	1500 wiring loom	£199.00
9	2K 6167	Earth cable to body	£5.95
10	BCA 4758	Cable earth, terminal to bulkhead	£12.95
11	AHA 7776	Cable starter solenoid to solenoid	£9.95
12	TERM	Battery terminal positive or negative	£2.00
13	27H 5576	Manual solenoid	£19.95
14	BMK 1727	Starter solenoid	£14.95
15	606253A	2 fuse type fuse box	£8.95
16	37H 4727	4 fuse type fuse box	£15.75
17	505158A	2 fuse cover	£2.95
18	37H 4727A	4 fuse cover	£2.50
19	BHA 4602	Voltage stabiliser	£14.50
20	GFU 2103	3 pin flasher unit	£4.50
21	GFU 2124	2 pin flasher unit	£4.50
22	GFU 2204	Hazard flasher unit	£4.50
23	GEU6603/5	Voltage control box	£29.50
24	GXE 3101	New dynamo #	£49.50
25	GXE 8211	New alternator #	£47.50
26	GXE 4405	Reconditioned starter motor #	£37.50
27	CLAMP	Battery clamp kit	£5.95

Switches and Horns



		Description	Price (inc VAT)				
1	BCA 4294	Headlamp switch toggle type	£27.50	10	BHA 5110	Wiper switch two speed	£10.95
2	149011A	Wiper switch single speed	£13.95	11	BHA 5267	Hazard warning switch	£16.75
3	13H 337	Ignition switch and starter	£9.95	12	BMK 2259	Steering lock and ignition switch	£74.95
4	127651	Ignition switch, starter and access.	£14.50	13	BHA 4628	Early indicator switch	£47.50
5	24G 1345	Lock barrel with two keys	£6.75	14	BHA 4948	Indicator switch with horn	£42.50
6	RTC 432A	Floor dipswitch	£10.95	15	37R 8050	Indicator switch	£39.50
7	BHA 5111	Headlamp switch rocker type	£10.95	16	ADU 1021	Late 1500 indicator switch with horn	£47.50
8	BHA 5112	Panel light switch	£11.95	17	GCE 164	High note horn	£8.50
9	BHA 5109	Wiper switch single speed	£12.95	18	GCE 165	Low note horn	£8.50
				19	BHA 5041	Horn pencil	£7.50
				20	BHA 5042	Horn slip ring	£14.50
				21	37H 8051	Clamp with contact	£10.00

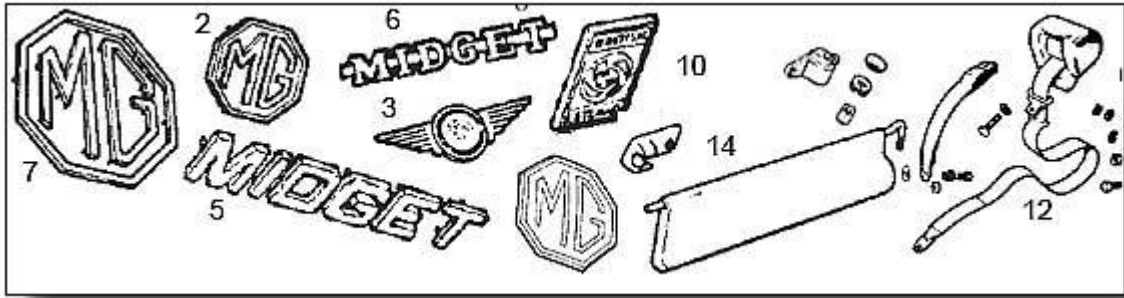
Glazing and Seals



		Description	Price (inc VAT)				
1	88G 455	Glazing seal	£19.50	10	GHF 1560	Clip weatherstrip	£0.20
2	27H 4300	Screen to 1/4 light	£3.25	11	AHH 7448	Glass guide felt	£2.95
3	AHA 7698	Frame to body seal	£11.50	12	AHH 8935	Chrome 1/4 light stop rubber	£1.25
4	AHA 7093/4	Windscreen pillar pad	£3.95	13	AHA 9986	S.S. 1/4 light stop rubber	£1.00
5	AHA 8008	Laminated windscreen	£59.00	14	SEAL	Door draught excluder	£8.95
6	AHA 7416/7	1/4 light seal	£13.50	15	2H 8198	Jacking point grommet	£1.25
7	AHA 7746/7	1/4 light to door seal	£1.95	16	CHA 797	Boot lid seal	£9.95
8	AHA 7634/5	Outer weatherstrip	£3.95				
9	AHA 7848	Inner glass weatherstrip	£3.75				

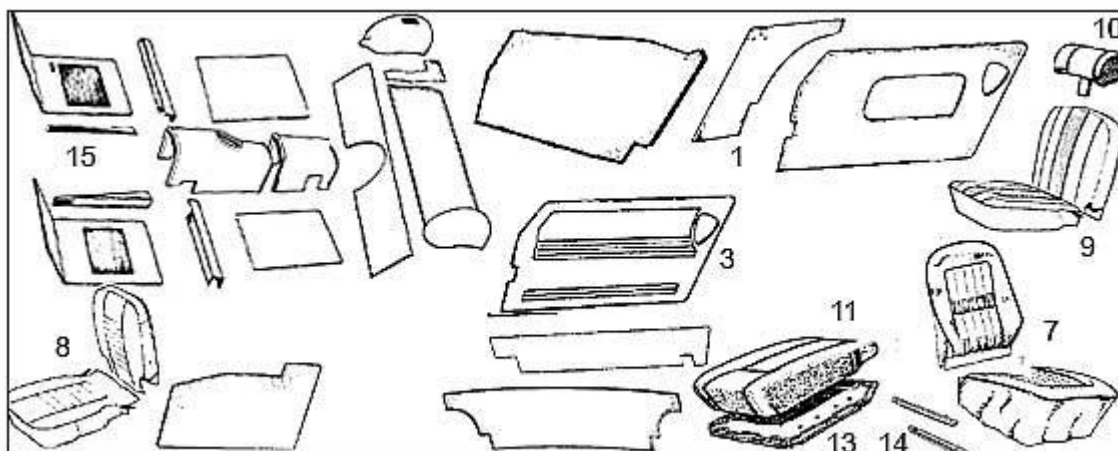
Badges

Miscellaneous



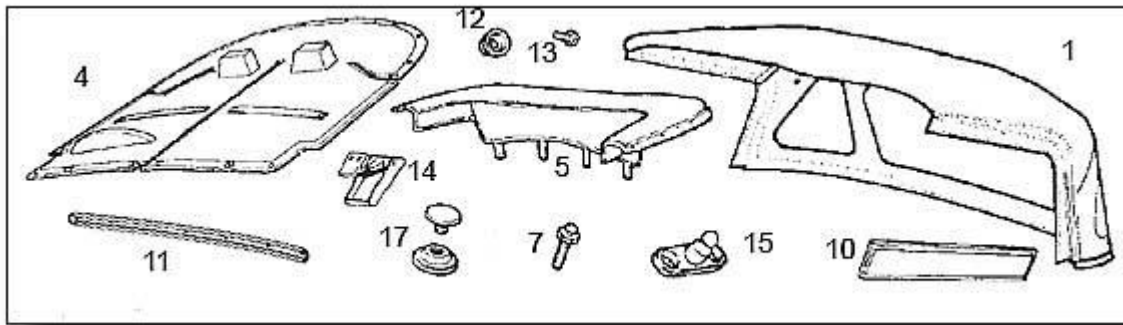
		Description	Price (inc VAT)
1	AHA 9318	Octagon grille badge	£7.95
2	ARA 2148	Black and red grille badge	£6.95
3	AHA 5518	Winged bonnet badge	£16.95
4	CHA 544	Rubber bumper badge	£8.95
5	18G 8761	Midget sill badge	£15.95
6	AHA 5683	Midget script boot badge	£8.75
7	AHH 5261K	3 piece octagon badge	£7.75
8	34G 252	Plastic boot badge	£12.50
9	CHA 545	Boot badge	£17.50
10	CZH 2717	BL house badge	£8.25
11	CHA 59FG	Fibreglass radio console	£29.95
12	SSB	Inertia seat belt	£35.00
13	SSB1	Static seat belt	£24.95
14	SUN	Sunvisor kit	£39.95
15	OVERSILLS	Stainless steel-twin jacking point (pair)	£99.00

Interior Trim, Carpets & Seats



		Description	Price (inc VAT)
1	TK 123A	12 piece trim kit with piping >69	£129.00
2	TK 124A	12 piece trim kit 70 on	£139.00
3	DP 123	Door trim panel (pair)	£49.00
4	GHF 1232	Trim panel clip	£0.25
5	TRIM	Screws and cup washer kit	£8.95
6	AHA 9167	Rear cockpit moulding	£12.95
7	BUCKET	Vinyl seat cover kit	£129.00
8	H SECT	H section vinyl seat kit with piping	£139.00
9	RECLINER	Late seat cover kit for reclining seats	£159.00
10	GLZ 135	Head rest	£35.00
11	CHA 96	Seat foam base	£22.50
12	CHA 97	Seat foam back	£52.50
13	AHA 7878	Seat diaphragm	£15.95
14	RUNNER	Seat runner	£12.50
15	CARPET	Carpet set	£99.00
16	BOOT	Boot carpet set	£85.00
17	FOOT	Footwell carpet (pair)	£27.50
18	RUBBER	Rubber footwell mats (pair)	£34.95
19	CLIP	Carpet clips pack of 4	£2.00
20	SEAL	Door draught excluder	£8.95
21	X3A 3220	Door check strap	£6.95

Hoods, Hardtops & Tonneaux

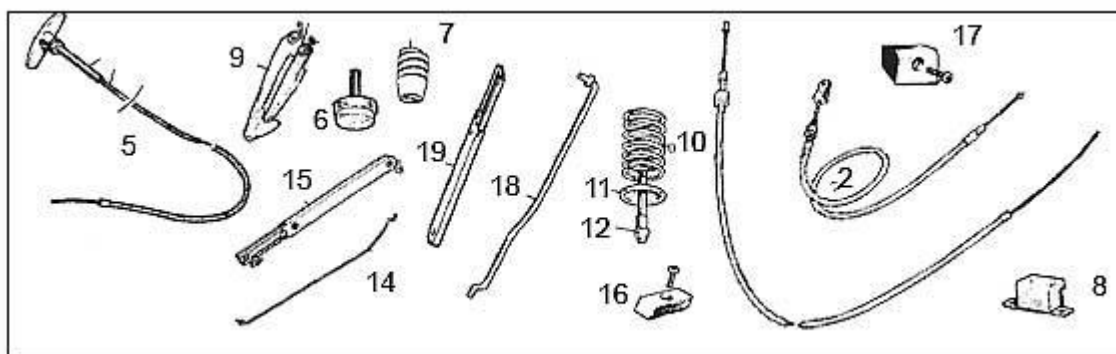


		Description	Price (inc VAT)
1		Soft top original quality	£169.00
2		Vinyl hood on header rail	£295.00
3		Stayfast cloth hood on header rail	£390.00
4		Tonneau Cover	£105.00
4A		Tonneau cover with headrest pockets	£129.00
5	CHA 93	Hood cover	£99.00
6		Hardtop	£295.00
7	TFP 1006	Short hood peg	£0.50
8	TFP 1010	Long hood peg	£0.65
9	TFS 106	Tenax socket	£1.80
10	AHA	Hood velcro	£5.95

	9054		
11	AHA 8185	Chrome rear hood retainer bar	£17.50
12	610624	Durable dot	£0.35
13	ZCT 605	Screw for above	£0.30
14	LFP 8491	Hood catch	£19.95
15	LFP 116	Tonneau peg	£1.00
16	LFS 100S	Lift the dot fastener	£1.00
17	BHH 2273	Header rail seal	£6.50
18	AHA 7350	Seal retainer	£5.50

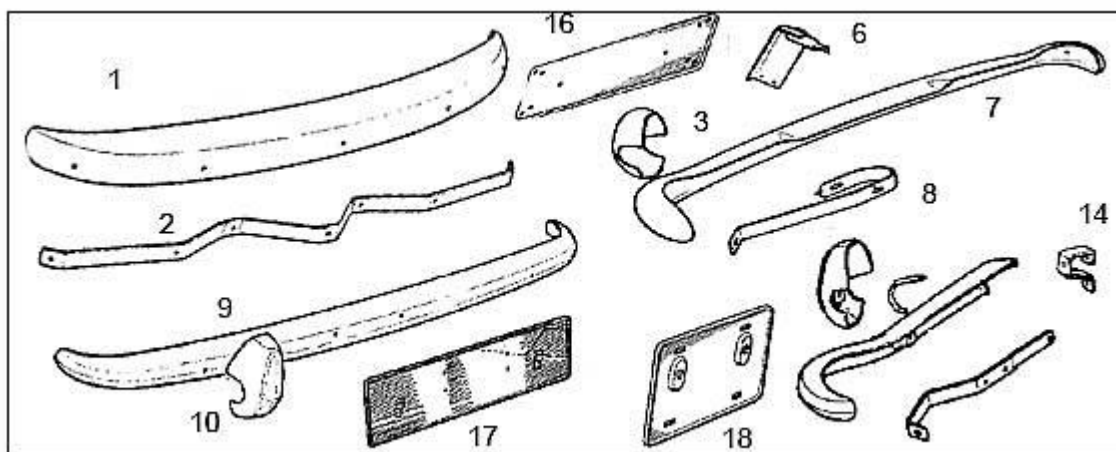
Cables

Bonnet & Boot Lid



		Description	Price (inc VAT)			Description	Price
1	AHA 5746	1275 throttle cable	£7.25	9	4B 8644	Safety catch	£19.00
2	CHA 475	1500 throttle cable	£8.95	10	4G 1588	Bonnet spring	£2.50
3	CHA 288	Choke cable	£7.95	11	4G 3676	Bonnet thimble	£3.50
4	AHA 5653	Bonnet release cable round knob		12	14G 2444	Bonnet locking pin	£2.90
5	CHA 460	Bonnet release cable 'T' pull	£6.95	13	4G 2494	Bonnet catch spring	£2.90
6	AHA 5654	Bonnet buffer	£4.75	14	AHA 7640	Bonnet rod	£12.75
7	GZG 1668	Late bonnet buffer	£1.95	15	AHA 9717	Telescopic bonnet stay	£12.95
8	AHA 5674	Channel bonnet buffer	£2.95	16	AHA 6213	Boot lid buffer front	£2.40
				17	AHA 6207	Boot lid buffer rear	£4.75
				18	AHA 5811	Boot rod	£8.60
				19	AHA 9716	Telescopic boot stay	£12.95

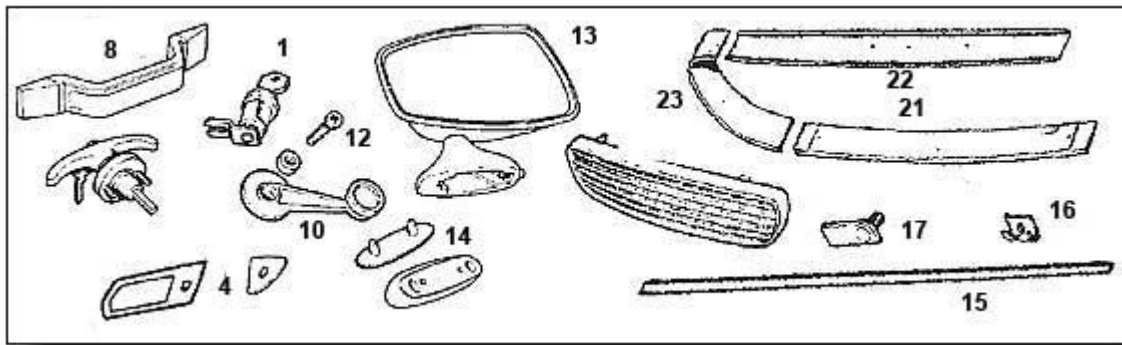
Bumpers and Fittings



		Description	Price (inc VAT)				
				10	AHA 9677	Rubber faced over rider	£32.50
				11	CHA 42	Spring bar	£39.50
1	AHA 5695	Early front bumper	£119.00	12	AAA 1645	Grommet front valance	£0.75
2	AHA 5696	Spring bar	£29.00	13	AHA 9458/9	Split rear bumper	£69.95
3	AHA 5686	Over rider all chrome front & rear	£34.95	14	AHA 9468	Bumper bracket	£2.60
4	552218	Over rider packing strip	£0.30	15	AHA 9465	Spring bar	£5.75
5	554700	Chrome bumper bolt	£1.50	16	SS FRONT	Front number plate backing S.S.	£9.95
6	AHA 5521/2	Bracket bumper to chassis	£18.95	17	SS BACK	Rear number plate backing oblong	£9.95
7	AHA 5673	Early rear bumper	£149.00	18	SS SPLIT	S.S. square number plate back rear	£17.95
8	AHA 5675	Rear bracket	£9.90				
9	AHA 9453	Late front bumper	£154.95				

Door and Boot.

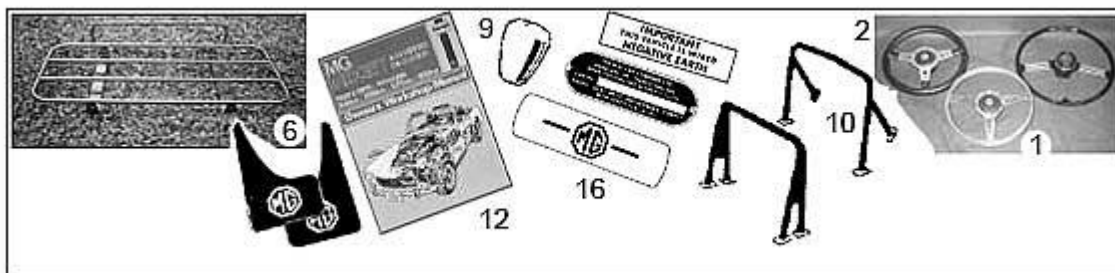
Chrome.



Part	Description	Price (inc VAT)
1	AHA 8531/2 Door locks pair with key	£24.95
2	AHA 8531S 3 piece lock set with keys	£52.50
3	617043 Door handle gasket car set	£2.00
4	973P Door lock gasket	£0.95
5	CLAMP Door clamping kit	£6.95
6	AHA 8530 Outer door handle	£27.50
7	GLZ 118 Door pull with chrome ends	£6.50
8	RGA 6476 Door pull with end caps	N/L/A
9	650306 Chrome door pull	£15.50
10	CZA 2123 Winder handle	£2.50
11	CZA CH Chrome winder handle	£7.95
12	BEZEL Bezel and screw	£1.00

13	GAM 258/9	Chrome door mirror	£16.95
14	CZH 3521	Chrome mirror plinth and base	£8.50
15	AHA 9440	Sill moulding	£12.95
16	ALA 3647	Sill clip	£0.20
17	AHA 5817	Stud	£1.00
18	AHB 9656	Front draught excluder chrome	£1.50
19	AHA 8162/3	Rear draught excluder chrome	£4.95
20	AHA 9925	Grille assembly	£195.00
21	AHA 9449	Lower grille finisher	£22.95
22	AHA 5514	Bonnet finisher	£23.95
23	AHA 9450/1	Side grille finisher	£18.95

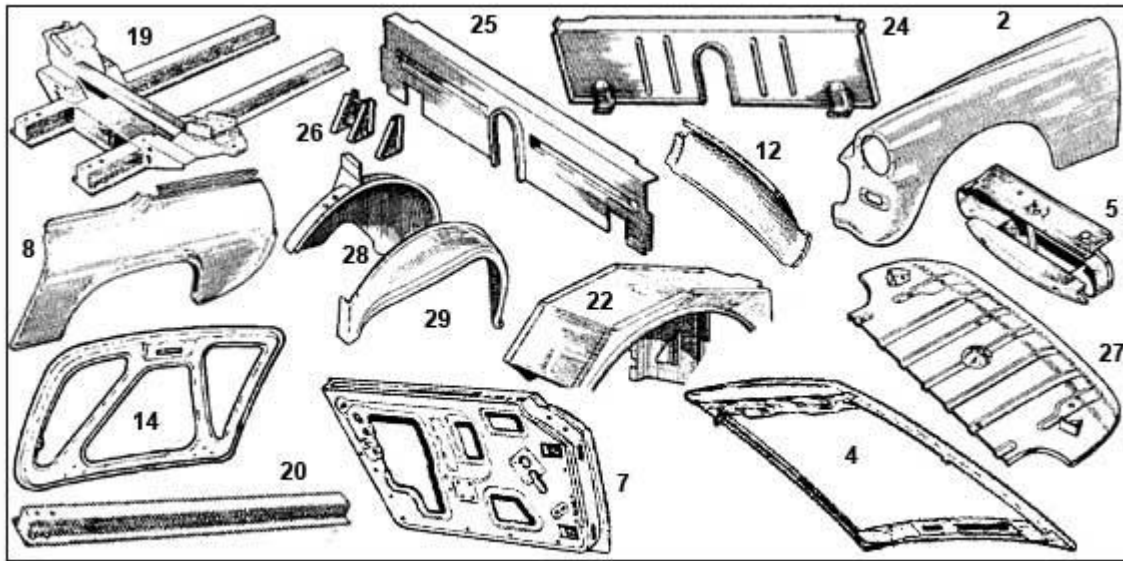
Accessories



	Description	Price (inc VAT)
1	Motalita steering wheel and boss (wood or leather)	£165.00
2	Repro leather or wooden steering wheel and boss	£99.00
3	Stainless steel threshold plates (pair)	£12.50
4	Wooden boot rack	£75.00
5	Aluminium boot rack	£75.00
6	Stainless steel permanent boot rack	£139.00
7	Alloy rocker cover 1275	£22.50
8	Alloy rocker cover 1500	£29.50
9	Wooden or leather gear knob	£5.95
10	National rollover	£119.00
11	Aero rollover bar	£119.00
12	Haynes manual	£22.00
13	Hand book	£6.50
14	Mudflaps	£6.95
15	Key rings	£2.25
16	Engine bay decal set	£12.50

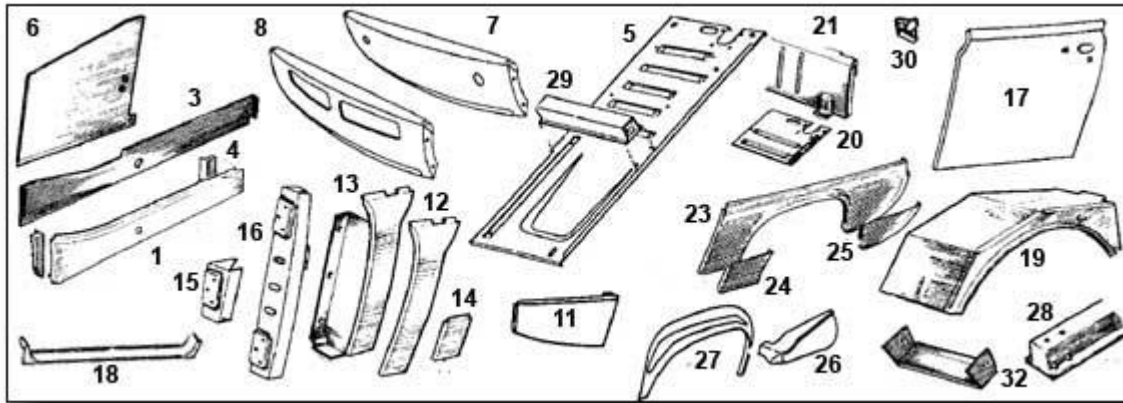
Body Panels

Genuine Leyland & Heritage



		Description	Price (inc VAT)				
1	AHA 5546/7	Early 1275 front wing	£385.00	16	CZJ 366	Split rear bumper square wheel arch body shell	
2	CZJ 279/361	1275 front wing	£385.00	17	CZJ 83	Round wheel arch body shell	
3	CZJ 594/5	1500 front wing	£385.00	18	BMH 732	1500 body shell	
4	CZJ 704	Bonnet	£399.00	19	28G118	Front chassis assembly	£475.00
5	AHA 5549	Front end assembly 1275	£199.00	20	AHA5628/30	1275 Chassis leg	£45.00
6	CZJ 565	Front end assembly 1500	£199.00	21	BMH 8030/1	1500 chassis leg	£45.00
7	BMH 8000/1	Door	£169.95	22	CZJ 432/3	1275 front wheel arch assembly	£119.95
8	CZJ 220/1	Square arch rear wing	£219.95	23	CZJ 682/3	1500 front wheel arch assembly	£119.95
9	CZJ 408/9	Round arch rear wing	£219.95	24	BMH 8005	Inner bulkhead	£42.50
10	CZJ 590/1	1500 square arch rear wing	£219.95	25	BMH 8006	Outer bulkhead	£42.50
11	AHA 5750	Early rear panel	£85.00	26	AHA 7208	Springhanger box section	£29.95
12	CZJ 70	1275 rear panel	£85.00	27	BMH 8058	Boot floor	£99.95
13	CZJ 598	1500 Rear panel	£79.00	28	BMH 8014/5	Inner rear wheel arch	£79.95
14	CZJ 351	Boot lid	£180.00	29	AHA 5735/6	Outer square wheel arch	£79.95
15	BMH 8057	Solid rear bumper body shell		30	BMH 8020/1	Outer round wheel arch	£114.95

Body Panels, Steelcraft and Heritage



		Description	Steelcraft	Heritage					
					18	MS 43	Door bottom repair	£17.95	
1	MS 37	Outer sill 1275	£34.95		19	MS 51	Front inner wheel arch	£32.50	
2	MS 39	Outer sill 1500	£34.95		20	MS 24	Floor repair section for leaf spring	£13.95	
3	MS 32	Inner sill	£17.95		21	MS 25	Back panel attachment for use with MS 24	£15.95	
4	MS 26	Sill closing plates (pair)	£5.95		22	MS 35	Outer floorpan repair	£35.00	
5	MS 23	Floorpan	£89.00		23	MS 28	Lower rear wing door to lamp	£103.50	
6	MS 47	Outer side panel above sill	£13.50		24	MS 30	Rear 1/4 panel above sill	£10.50	
7	MS 10	Front valance 1275	£52.50		25	MS 29	Rear 1/4 panel repair near light	£23.95	
8	MS 11	Front valance with reinforcement 1275	£69.95		26	MS 44	Boot floor to rear wing	£12.50	
9	MS 08	Front valance 1500	£52.50		27	MS 45	Rear inner arch repair	£29.95	
10	MS 09	Front valance with reinforcement 1500	£72.50		28	MS 40	Front chassis leg repair	£44.95	
11	MS 15	Front wing repair panel	£21.50		29	MS 48	Chassis section with jacking point	£18.00	
12	MS 17	Full 'A' post cover	£13.95		30	MS 57	Rear 1500 jacking point	£8.95	
13	MS 18	Full 'A' post cover with spot welded section	£18.95	£24.50	31	MS54/55	Radiator duct panel	£39.95 each	
14	MS 19	'A' post cover lower half	£4.95		32	MS 42	Radiator tray attachment	£13.95	
15	MS 20	Lower door hinge repair panel	£14.95		33	MS 56	Bonnet	£335.00	
16	MS 21	Complete door hinge repair	£35.00						
17	MS 22	Doorskin	£34.95	£52.50					

How to Order

Order by Telephone:
01945 700 500

Make sure you have your credit card at hand when you call.

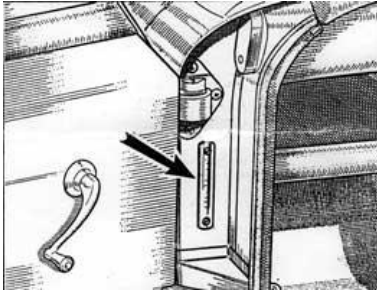
Opening Times:

Mon - Fri: 0900 to 1700

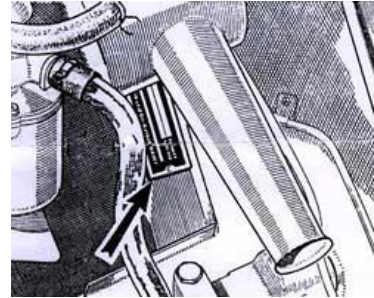
Sat: 0900 to 1200

www.mgbhive.co.uk

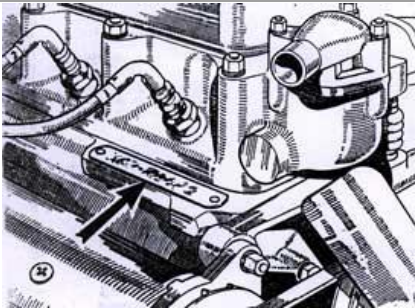
Identifying your Vehicle



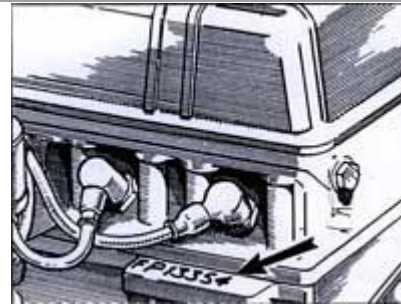
The **body Number** is stamped on a plate secured to the left hand front door pillar



The **Chasis Number** is stamped on a plate secured to the support step on the left hand inner wheel arch under the bonnet.



The **Engine Number** (1275) is stamped on a plate secured to the right hand side of the cylinder block



The **Engine Number** (1500) is stamped on a flange on the left hand side of the cylinder block.